

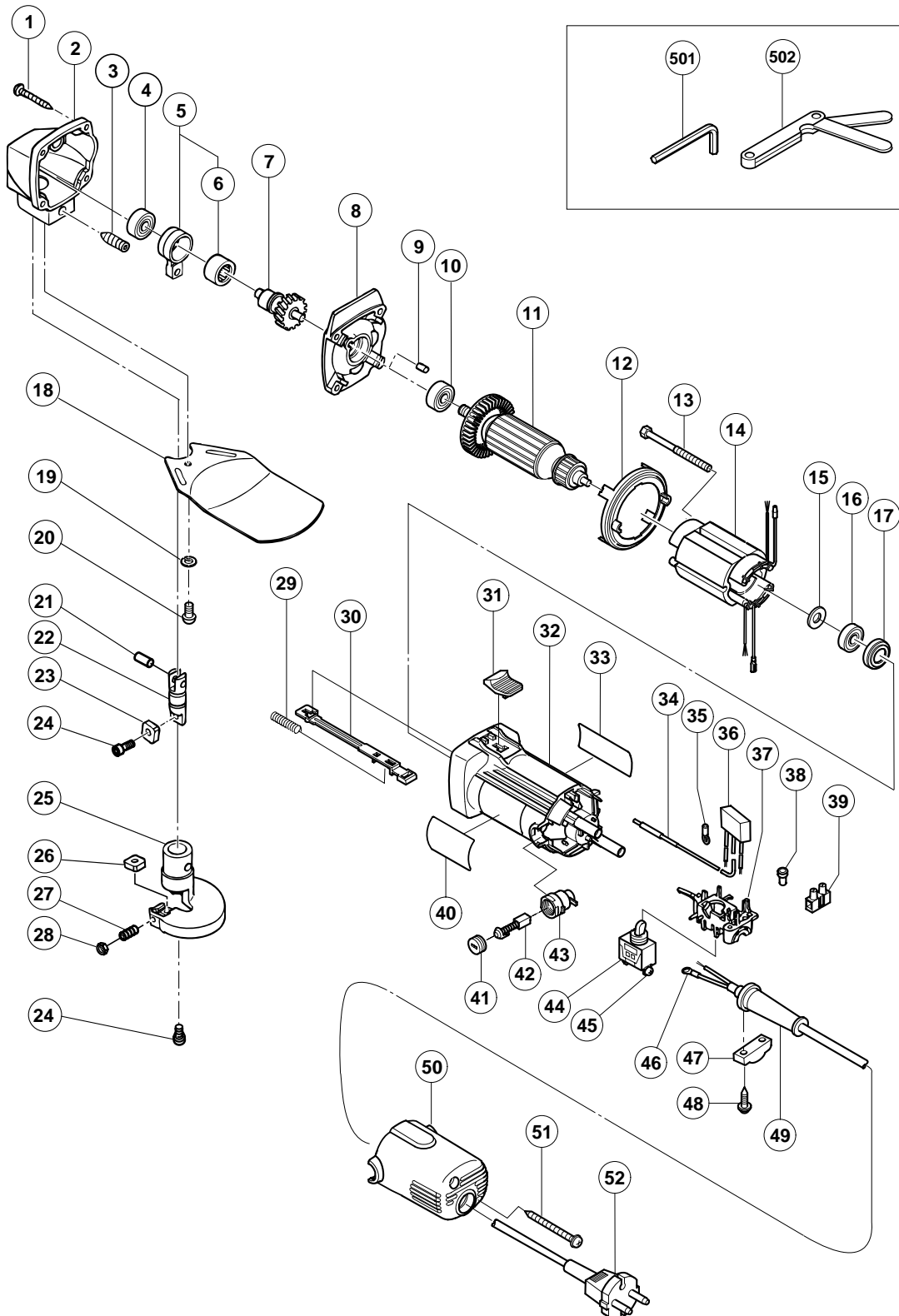
ELECTRIC TOOL PARTS LIST

■ HAND SHEAR

2003 • 9 • 25

Model CE 16SA

(E1)



PARTS

CE 16SA

ITEM NO.	CODE NO.	DESCRIPTION	NO. USED	REMARKS	
1	957-580	TAPPING SCREW D5X30	4		
2	998-003	GEAR COVER	1		
3	998-008	HEX. SOCKET SET SCREW M8X20	1		
4	608-VVM	BALL BEARING 608VVC2PS2L	1		
5	998-004	CONNECTING ROD ASS'Y	1	INCLUD. 6	
6	993-163	NEEDLE BEARING (M152112)	1		
7	998-006	SPINDLE AND GEAR SET	1		
8	998-002	INNER COVER	1		
9	931-701	BEARING LOCK	1		
10	608-VVM	BALL BEARING 608VVC2PS2L	1		
*	11	360-622C	ARMATURE 110V	1	
*	11	360-622U	ARMATURE ASS'Y 120V-127V	1	INCLUD. 10, 15, 16
*	11	360-622E	ARMATURE 220V-230V	1	
*	11	360-622F	ARMATURE 240V	1	
12	306-840	FAN GUIDE	1		
13	982-021	HEX. HD. TAPPING SCREW D4X70	2		
*	14	340-567C	STATOR 110V	1	
*	14	340-567D	STATOR 120V-127V	1	
*	14	340-567E	STATOR 220V-230V	1	
*	14	340-567F	STATOR 240V	1	
15	942-204	WASHER	1		
16	626-VVM	BALL BEARING 626VVC2PS2L	1		
17	309-929	RUBBER BUSHING	1		
18	998-010	PROTECTOR	1		
19	949-454	SPRING WASHER M5 (10 PCS.)	1		
20	949-237	MACHINE SCREW M5X12 (10 PCS.)	1		
21	993-546	PIN D6	1		
22	998-005	PISTON	1		
23	998-000	MOVING BLADE	1		
24	949-812	HEX. SOCKET HD. BOLT M4X10 (10 PCS.)	2		
25	998-007	BLADE HOLDER	1		
26	998-001	STATIONARY BLADE	1		
27	998-009	SLOTTED HD. SET SCREW M4X14	1		
28	949-565	LOCK NUT M4 (10 PCS.)	1		
29	314-429	SPRING	1		
30	314-427	SLIDE BAR	1		
31	314-428	SLIDE KNOB	1		
32	314-438	HOUSING ASS'Y	1	INCLUD. 17	
33		NAME PLATE	1		
*	34	314-854	EARTH TERMINAL	1	FOR NOISE SUPPRESSOR
*	35	311-741	TERMINAL	1	
*	36	994-273	NOISE SUPPRESSOR	1	FOR TPE, HKG, NGU, NZL, AUS, GBR, SAF, EUROPE, FIN, NOR, SWE, DEN, SUI, CHN, KOR
37	314-432	SWITCH HOLDER	1		
*	38	959-140	CONNECTOR 50091 (10 PCS.)	1	EXCEPT FOR TPE, HKG, NGU, NZL, AUS, GBR, SFA, EUROPE, FIN, NOR, SWE, DEN, SUI, CHN, KOR
*	39	938-307	PILLAR TERMINAL	1	FOR TPE, HKG, NGU, NZL, AUS, GBR, SFA, EUROPE, FIN, NOR, SWE, DEN, SUI, CHN, KOR
40		HITACHI LABEL	1		
41	936-551	BRUSH CAP	2		
42	999-021	CARBON BRUSH (1 PAIR)	2		

PARTS

ITEM NO.	CODE NO.	DESCRIPTION	NO. USED	REMARKS	
43	313-777	BRUSH HOLDER	2		
44	314-603	SWITCH (1P SOLDER TYPE)	1		
45	305-499	MACHINE SCREW (W/WASHER) M3.5X6	2		
*	46	980-063	1	TERMINAL	FOR CORD
	47	937-631	1	CORD CLIP	
	48	984-750	2	TAPPING SCREW (W/FLANGE) D4X16	
*	49	953-327	1	CORD ARMOR D8.8	
*	49	938-051	1	CORD ARMOR D10.1	
	50	314-433	1	TAIL COVER	
	51	301-815	2	TAPPING SCREW (W/FLANGE) D4X45	
*	52	500-201Z	1	CORD	(CORD ARMOR D10.1)
*	52	500-234Z	1	CORD	(CORD ARMOR D8.8) FOR SUR, INA, SAF, EUROPE, FIN, NOR, SWE, DEN, IND, KOR
*	52	500-439Z	1	CORD	(CORD ARMOR D8.8) FOR NGU, NZL, AUS
*	52	500-435Z	1	CORD	(CORD ARMOR D8.8) FOR HKG, GBR (230V)
*	52	500-423Z	1	CORD	(CORD ARMOR D8.8) FOR SIN, KUW
*	52	500-432Z	1	CORD	(CORD ARMOR D8.8) FOR USA, CAN
*	52	500-245Z	1	CORD	(CORD ARMOR D10.1) FOR SYR
*	52	500-470Z	1	CORD	(CORD ARMOR D8.8) FOR TPE
*	52	500-447Z	1	CORD	(CORD ARMOR D8.8) FOR SUI
*	52	500-237Z	1	CORD	(CORD ARMOR D8.8) FOR GBR (110V)
*	52	500-455Z	1	CORD	(CORD ARMOR D8.8) FOR CHN

STANDARD ACCESSORIES

CE 16SA

ITEM NO.	CODE NO.	DESCRIPTION	NO. USED	REMARKS
501	943-277	HEX. BAR WRENCH 3MM	1	
502	949-128	THICKNESS GAUGE	1	

OPTIONAL ACCESSORIES

ITEM NO.	CODE NO.	DESCRIPTION	NO. USED	REMARKS
601	302-355	PIECE. BOLT SET	1	